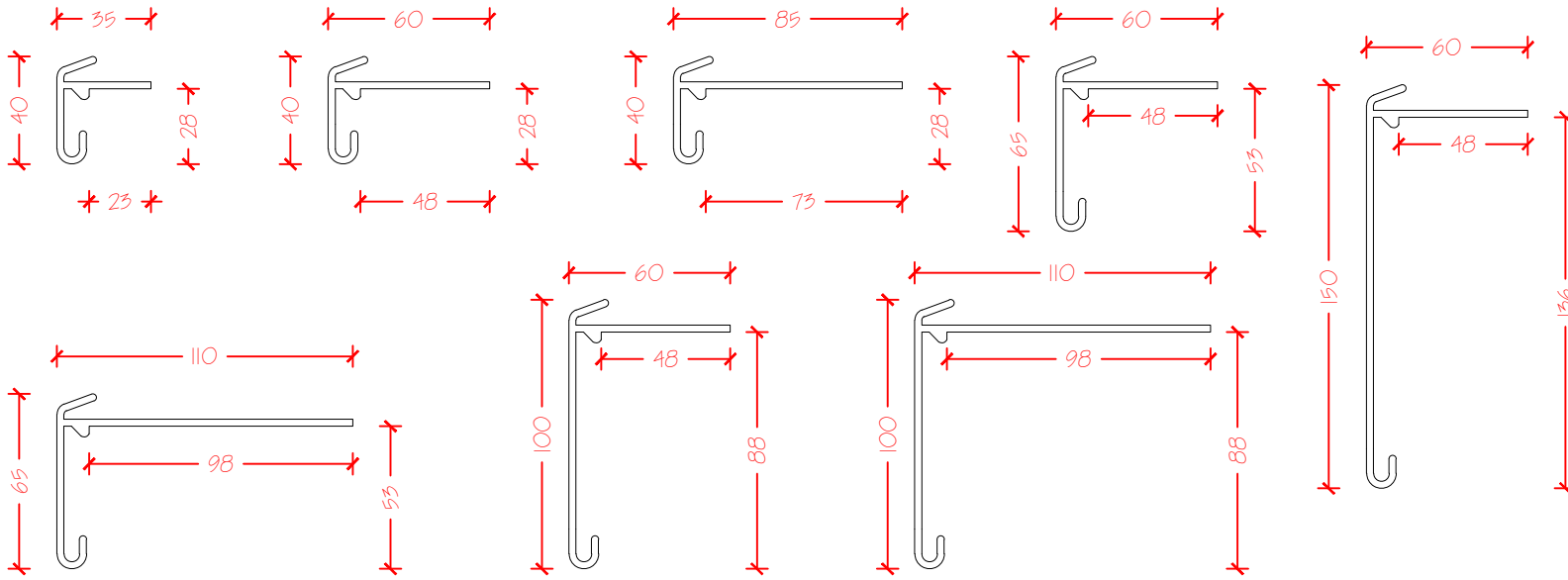
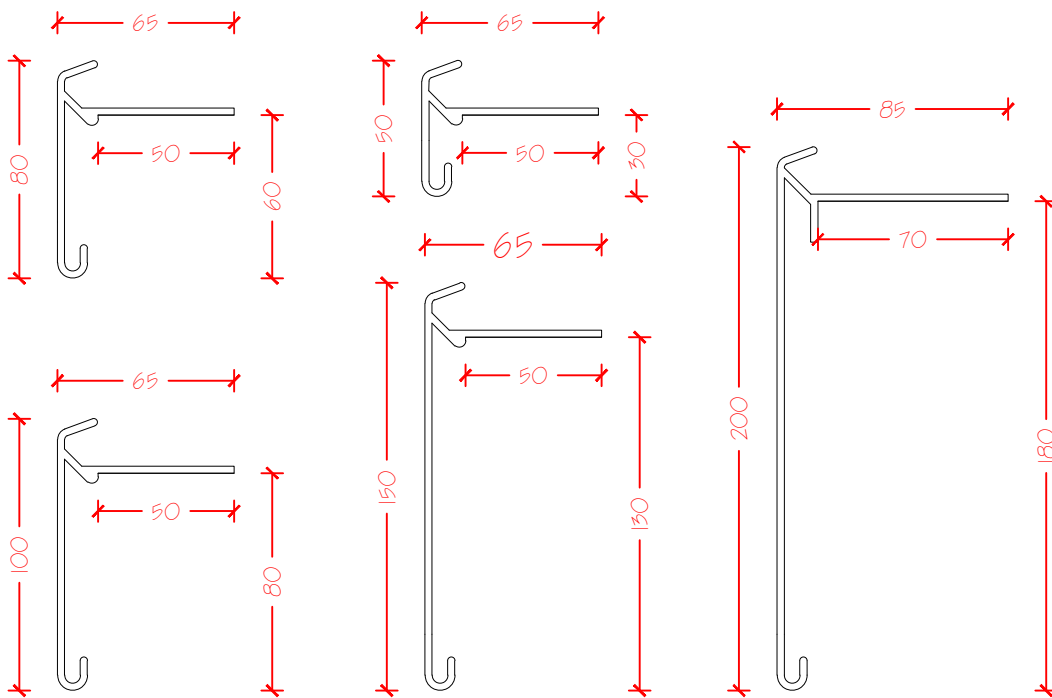


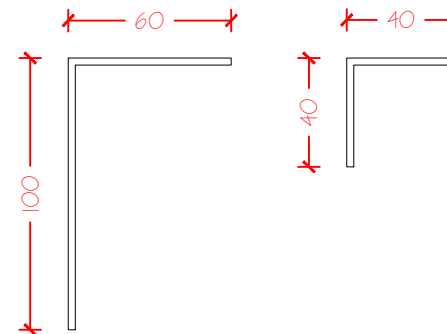
Flat arm profiles for built-up felt roofing systems



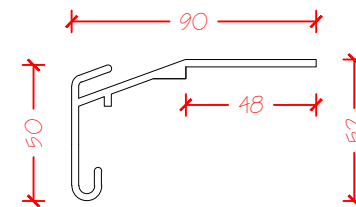
Angle arm profiles for mastic asphalt and built-up felt roofing systems



Angle trims



Drip edge applications



Flat Bar - Any size up to 200mm



Proteus Waterproofing Ltd.

21a Sirdar Road,
Brook Road Industrial Estate,
Rayleigh, Essex, SS6 7XF

Tel: +44 (0)1268 777871

W: www.proteuswaterproofing.co.uk

E: office@proteuswaterproofing.co.uk

All components are to be prepared and installed in strict accordance with **Proteus Project Specification**

Notes :

© This drawing is the copyright of Proteus Waterproofing Ltd.

Drawing No.:

SD_MISC_01

Description:

GRP Trims

Scale:

NTS

Drawn:

W.Harding

Date:

30/07/2024

